

SR20

WITH CIRRUS PERSPECTIVE⁺ AVIONICS



Quick Reference Checklist

for
SR20 Serials 2339 and Subsequent
with Cirrus Perspective⁺ Avionics



The procedures in this publication are abbreviated and derived from procedures in the FAA Approved Airplane Flight Manual and Pilot's Operating Handbook (POH) P/N 11934-005, Original Issue. These procedures do not supersede the procedures in the POH. In the event of conflict, the POH shall take precedence.

CIRRUS PILOT'S CHECKLIST MODEL SR20

**Normal Procedures
Table of Contents**

NORMAL

Primary Flight DisplayN-1

Airspeeds for Normal OperationN-2

Preflight InspectionN-3

Before Starting EngineN-6

Starting EngineN-7

Before TaxiingN-7

TaxiingN-8

Before TakeoffN-9

Normal TakeoffN-10

Short Field Takeoff.....N-10

ClimbN-10

CruiseN-10

 Cruise LeaningN-11

DescentN-11

Before Landing.....N-11

Normal LandingN-11

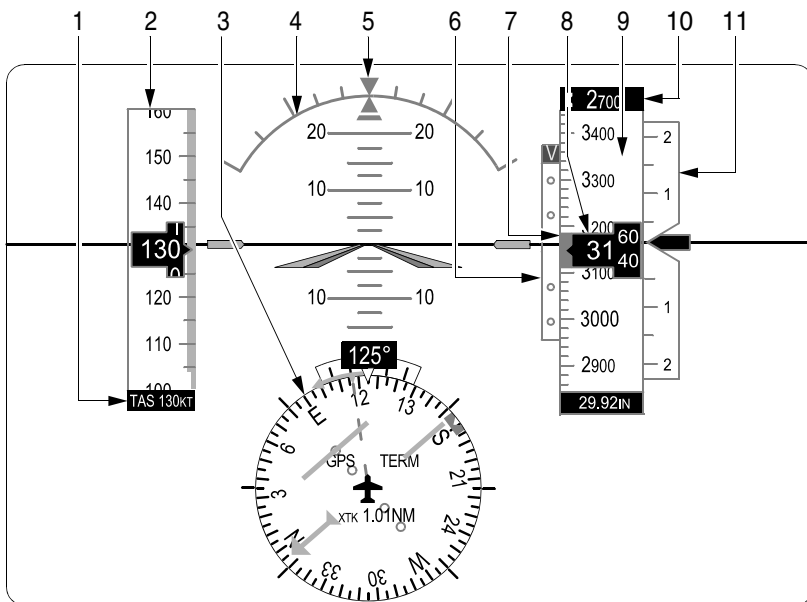
Short Field LandingN-12

Balked Landing/Go-Around.....N-12

After Landing.....N-12

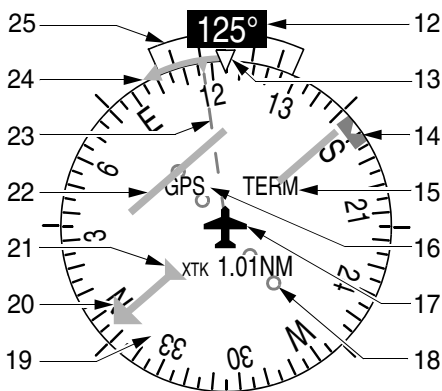
ShutdownN-12

Primary Flight Display



LEGEND

1. True Airspeed
2. Airspeed Indicator
3. Horizontal Situation Indicator (HSI)
4. Attitude Indicator
5. Slip/Skid Indicator
6. Vertical Deviation Indicator (VDI)
7. Selected Altitude Bug
8. Current Altitude
9. Altimeter
10. Selected Altitude
11. Vertical Speed Indicator (VSI)
12. Current Heading
13. Lubber Line
14. Selected Heading Bug
15. Flight Phase
16. Navigation Source
17. Aircraft Symbol
18. Course Deviation Scale
19. Rotating Compass Rose
20. Course Pointer



HSI DETAIL
Typical View

21. To/From Indicator
22. Course Deviation Indicator
23. Current Track Indicator
24. Turn Rate/Heading Trend Vector
25. Turn Rate Indicator

SR20_FM07_5348

CIRRUS PILOT'S CHECKLIST MODEL SR20

Airspeeds for Normal Operation

Takeoff:

- Normal, Flaps 50%..... 71-75 KIAS
- Short Field, Flaps 50%..... 71 KIAS
- Obstacle Clearance, Flaps 50%..... 81 KIAS

Enroute Climb, Flaps Up:

- Normal, SL 96 KIAS
- Normal, 10,000' 92 KIAS
- Best Rate of Climb, SL 96 KIAS
- Best Rate of Climb, 10,000..... 92 KIAS

Landing Approach:

- Normal Approach, Flaps Up..... 89 KIAS
- Normal Approach, Flaps 50% 84 KIAS
- Normal Approach, Flaps 100% 78 KIAS
- Short Field, Flaps 100%..... 78 KIAS

Go-Around, Flaps 50%:

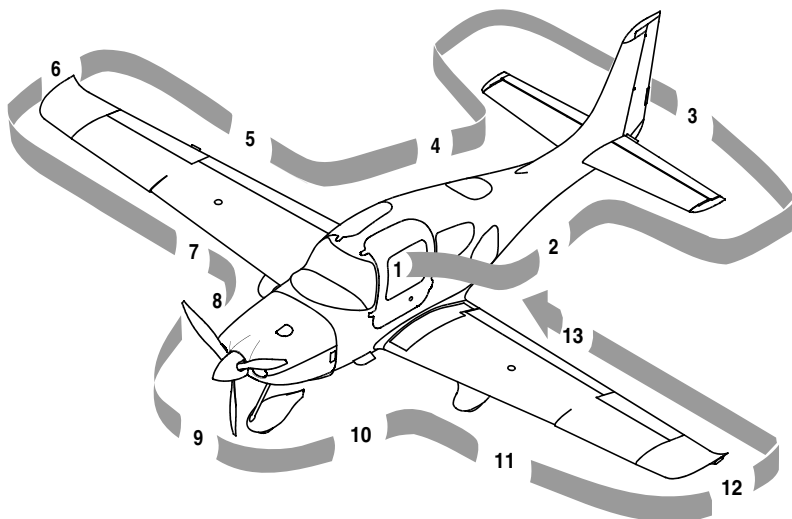
- Full Power..... 81 KIAS

Maximum Recommended Turbulent Air Penetration:

- 3150 Lb 133 KIAS
- 2700 Lb 123 KIAS
- 2300 Lb 114 KIAS

Maximum Demonstrated Crosswind Velocity:

- Takeoff or Landing 20 Knots



SR22_FM04_1454

Preflight Inspection

1. Cabin
 - a. Required Documents ON BOARD
 - b. Avionics Power Switch OFF
 - c. Bat 2 Master Switch ON
 - d. PFD VERIFY ON
 - e. Essential Bus Voltage 23-25 VOLTS
 - f. Flap Position Light OUT
 - g. Bat 1 Master Switch ON
 - h. Avionics Cooling Fan AUDIBLE
 - i. Avionics Master Switch ON
 - j. Fuel Quantity CHECK
 - k. Fuel Selector SELECT FULLEST TANK
 - l. Flaps 100% CHECK LIGHT ON
 - m. Lights CHECK OPERATION
 - n. Stall Warning System Inlet UNOBSTRUCTED

(Continued on following page)

CIRRUS PILOT'S CHECKLIST MODEL SR20

- o. Stall Warning..... TEST
 - p. Pitot Heat ON
 - (1) Verify probe is hot.
 - q. Pitot Heat OFF
 - r. Avionics Master Switch OFF
 - s. Bat 1 and 2 Master Switches OFF
 - t. Alternate Static Source NORMAL
 - u. Circuit Breakers..... IN
 - v. Fire Extinguisher CHARGED AND AVAILABLE
 - w. Emergency Egress HammerAVAILABLE
 - x. CAPS Handle PIN REMOVED
2. Left Fuselage
- a. Door Lock..... UNLOCK
 - b. COM 1 Antenna (top) CONDITION AND ATTACHMENT
 - c. Transponder Antenna (underside).....CONDITION AND ATTACHMENT
 - d. Wing/Fuselage FairingCHECK
 - e. COM 2 Antenna (underside)CONDITION AND ATTACHMENT
 - f. Baggage Door CLOSED AND SECURE
 - g. Static Button..... CHECK FOR BLOCKAGE
 - h. Parachute CoverSEALED AND SECURE
3. Empennage
- a. Tiedown Rope REMOVE
 - b. Horizontal and Vertical Stabilizers..... CONDITION
 - c. Elevator and Tab CONDITION AND MOVEMENT
 - d. Rudder FREEDOM OF MOVEMENT
 - e. Rudder Trim Tab..... CONDITION AND SECURITY
 - f. Attachment hinges, bolts and cotter pins SECURE
4. Right Fuselage
- a. Static Button..... CHECK FOR BLOCKAGE
 - b. Wing/Fuselage FairingsCHECK
 - c. Door Lock..... UNLOCK

PREFLIGHT

(Continued on following page)

CIRRUS PILOT'S CHECKLIST MODEL SR20

5. Right Wing Trailing Edge
 - a. Flap and Rub Strips (if installed)CONDITION AND SECURITY
 - b. Aileron and Tab CONDITION AND MOVEMENT
 - c. Aileron Gap Seal SECURITY
 - d. Hinges, actuation arm, bolts, and cotter pins SECURE
6. Right Wing Tip
 - a. TipATTACHMENT
 - b. Wing Tip Light and Lens CONDITION AND SECURITY
 - c. Fuel Vent (underside) UNOBSTRUCTED
7. Right Wing Forward and Main Gear
 - a. Leading Edge and Stall Strips..... CONDITION
 - b. Fuel Cap..... CHECK QUANTITY AND SECURE
 - c. Fuel Drains (2 underside)..... DRAIN AND SAMPLE
 - d. Landing Light..... CONDITION
 - e. Wheel Fairings SECURITY, ACCUMULATION OF DEBRIS
 - f. Tire CONDITION, INFLATION, AND WEAR
 - g. Wheel and Brakes..... FLUID LEAKS, EVIDENCE OF OVERHEATING, GENERAL CONDITION, AND SECURITY
 - h. Chocks and Tiedown Ropes REMOVE
8. Nose, Right Side
 - a. Engine Oil..... CHECK 6-7 QUARTS, LEAKS
 - b. Engine Oil Dipstick/Filler CAP & Door..... SECURE
 - c. Cowling ATTACHMENTS SECURE
 - d. Exhaust Pipe CONDITION, SECURITY, AND CLEARANCE
9. Nose gear, Propeller, and Spinner
 - a. Tow Bar REMOVE AND STOW
 - b. Strut..... CONDITION
 - c. Wheel Fairing SECURITY, ACCUMULATION OF DEBRIS
 - d. Wheel and Tire..... CONDITION, INFLATION, AND WEAR
 - e. Propeller..... CONDITION (INDENTATIONS, NICKS, ETC.)
 - f. Spinner..... CONDITION, SECURITY, AND OIL LEAKS
 - g. Air Inlets UNOBSTRUCTED

(Continued on following page)

CIRRUS PILOT'S CHECKLIST MODEL SR20

- 10. Nose, Left Side
 - a. Cowling ATTACHMENTS SECURE
 - b. Gascolator (underside)... DRAIN FOR 3 SECONDS, SAMPLE
 - c. External PowerDOOR SECURE
- 11. Left Main Gear and Forward Wing
 - a. Wheel Fairings SECURITY, ACCUMULATION OF DEBRIS
 - b. Tire CONDITION, INFLATION, AND WEAR
 - c. Wheel and Brakes FLUID LEAKS, EVIDENCE OF OVERHEATING, GENERAL CONDITION, AND SECURITY
 - d. Chocks and Tiedown Ropes REMOVE
 - e. Fuel Drains (2 underside)..... DRAIN AND SAMPLE
 - f. Fuel Cap..... CHECK QUANTITY AND SECURE
 - g. Leading Edge and Stall Strips CONDITION
- 12. Left Wing Tip
 - a. Fuel Vent (underside)UNOBSTRUCTED
 - b. Pitot Mast (underside) COVER REMOVED, TUBE CLEAR
 - c. Wing Tip Light and Lens CONDITION AND SECURITY
 - d. TipATTACHMENT
- 13. Left Wing Trailing Edge
 - a. Flap And Rub Strips (If installed)CONDITION AND SECURITY
 - b. AileronFREEDOM OF MOVEMENT
 - c. Aileron Gap Seal SECURITY
 - d. Hinges, actuation arm, bolts, and cotter pins SECURE

PREFLIGHT / BEFORE
 STARTING

Before Starting Engine

- 1. Preflight Inspection COMPLETED
- 2. Weight and Balance VERIFY WITHIN LIMITS
- 3. Emergency Equipment ON BOARD
- 4. Passengers BRIEFED
- 5. Seats, Seat Belts, and Harnesses ADJUST AND SECURE

CIRRUS PILOT'S CHECKLIST MODEL SR20

Starting Engine

1. External Power (If applicable)CONNECT
2. Brakes HOLD
3. Bat Master SwitchesON (CHECK VOLTS)
4. Strobe Lights ON
5. Power Lever OPEN ¼ INCH
6. Mixture CUTOFF
7. Propeller Area CLEAR
8. Fuel Pump ON
9. Mixture ADVANCE TO RICH UNTIL STABLE FUEL FLOW IS INDICATED (3 - 5 SECONDS)
10. Mixture CUTOFF
11. Ignition Switch START (RELEASE AFTER ENGINE STARTS)
12. Mixture SMOOTHLY ADVANCE TO RICH (AFTER ENGINE STARTS)
13. Power Lever RETARD (MAINTAIN 1000 RPM)
14. Fuel Pump OFF
15. Oil Pressure CHECK
16. Alt Master Switches ON
17. Avionics Power Switch ON
18. Engine Parameters MONITOR
19. External Power (If applicable)DISCONNECT
20. Amp Meter/Indication CHECK

Before Taxiing

1. Flaps UP (0%)
2. Radios/Avionics AS REQUIRED
3. Cabin Heat/Defrost AS REQUIRED
4. Fuel Selector SWITCH TANK

Taxiing

1. Parking Brake DISENGAGE
2. Brakes CHECK
3. HSI Orientation CHECK
4. Attitude Gyro CHECK
5. Turn Coordinator CHECK

CIRRUS PILOT'S CHECKLIST MODEL SR20

Before Takeoff

- 1. Doors LATCHED
- 2. CAPS Handle VERIFY PIN REMOVED
- 3. Seat Belts and Shoulder Harness SECURE
- 4. Air Conditioner.....AS DESIRED

• Caution •

Use of RECIRC mode prohibited in flight.

- 5. Fuel QuantityCONFIRM
- 6. Fuel Selector FULLEST TANK
- 7. Flaps..... SET 50% AND CHECK
- 8. Transponder..... SET
- 9. Autopilot..... CHECK
- 10. Navigation Radios/GPS.....SET FOR TAKEOFF
- 11. Cabin Heat/Defrost.....AS REQUIRED
- 12. Brakes..... HOLD
- 13. Mixture.....FULL RICH
- 14. Power Lever 2200 RPM
- 15. AlternatorCHECK
 - a. Pitot Heat ON
 - b. Navigation Lights..... ON
 - c. Landing Light..... ON
 - d. Annunciator LightsCHECK
- 16. Voltage.....CHECK
- 17. Pitot Heat.....AS REQUIRED
- 18. Navigation LightsAS REQUIRED
- 19. Landing LightAS REQUIRED
- 20. Magnetos..... CHECK LEFT AND RIGHT
 - a. Ignition Switch R, NOTE RPM, THEN BOTH
 - b. Ignition Switch L, NOTE RPM, THEN BOTH
- 21. Engine ParametersCHECK
- 22. Power Lever 1000 RPM
- 23. Fuel Pump ON
- 24. Flight Instruments, HSI, and Altimeter..... CHECK AND SET
- 25. Flight Controls FREE AND CORRECT
- 26. Trim SET TAKEOFF
- 27. Autopilot.....DISCONNECT

BEFORE TAKEOFF

CIRRUS PILOT'S CHECKLIST MODEL SR20

Normal Takeoff

1. Brakes.....RELEASE (STEER WITH RUDDER ONLY)
2. Power Lever FULL FORWARD
3. Engine ParametersCHECK
4. Elevator Control ROTATE SMOOTHLY AT 71-75 KIAS
5. At 85 KIAS, Flaps UP

Short Field Takeoff

1. Flaps 50%
2. Brakes HOLD
3. Power Lever FULL FORWARD
4. Engine ParametersCHECK
5. Brakes.....RELEASE (STEER WITH RUDDER ONLY)
6. Elevator Control ROTATE SMOOTHLY AT 71 KIAS
7. Airspeed at Obstacle 81 KIAS

When clear of obstacle:

8. Flaps..... UP

Climb

1. Climb Power..... SET
2. Flaps..... VERIFY UP
3. Mixture.....LEAN AS REQUIRED FOR ALTITUDE
4. Engine ParametersCHECK
5. Fuel PumpAS REQUIRED

Cruise

1. Fuel Pump OFF

• Note •

The Fuel Pump must be set to ON during maneuvering flight (i.e. flight training maneuvers, chandelles, stalls, etc.).

2. Cruise Power SET
3. Mixture..... LEAN AS REQUIRED
4. Engine Parameters MONITOR
5. Fuel Flow and Balance MONITOR

CIRRUS PILOT'S CHECKLIST MODEL SR20

Cruise Leaning

Mixture Description	Exhaust Gas Temperature
Best Power	100 °F Rich Of Peak EGT
Best Economy	Peak EGT

Descent

1. Altimeter SET
2. Cabin Heat/Defrost AS REQUIRED
3. Landing Light ON
4. Fuel System CHECK
5. Mixture AS REQUIRED
6. Brake Pressure CHECK

Before Landing

1. Seat Belt and Shoulder Harness SECURE
2. Fuel Pump ON
3. Mixture FULL RICH
4. Flaps AS REQUIRED
5. Autopilot AS REQUIRED

Normal Landing

1. Flaps 100%
2. Airspeed 81-83 KIAS
If Icing Conditions Exist:
 - a. Airspeed on Short Final 88 KIAS
3. Power Lever AS REQUIRED
After touchdown:
 4. Brakes AS REQUIRED

CIRRUS PILOT'S CHECKLIST MODEL SR20

Short Field Landing

1. Flaps 100%
2. Airspeed 78 KIAS
3. Power Lever AS REQUIRED
After clear of obstacles:
4. Power Lever REDUCE TO IDLE
After touchdown:
5. Brakes MAXIMUM

Balked Landing/Go-Around

1. Autopilot DISENGAGE
2. Power Lever FULL FORWARD
3. Flaps 50%
4. Airspeed BEST ANGLE OF CLIMB (81 KIAS)
After clear of obstacles:
5. Flaps UP

After Landing

1. Power Lever 1000 RPM
2. Fuel Pump OFF
3. Flaps UP
4. Transponder STBY
5. Lights AS REQUIRED
6. Pitot Heat OFF

Shutdown

1. Fuel Pump (if used) OFF
2. Throttle IDLE
3. Ignition Switch CYCLE
4. Mixture CUTOFF
5. All Switches OFF
6. Magnetos OFF
7. ELT TRANSMIT LIGHT OUT
8. Chocks, Tie-downs, Pitot Covers AS REQUIRED

CIRRUS PILOT'S CHECKLIST MODEL SR20

PERFORMANCE

Performance
Table of Contents

Takeoff Distance: 3150 LB.....P-1
 Takeoff Distance: 2600 LB.....P-2
 Cruise PerformanceP-3
 Cruise PerformanceP-4
 Landing Distance Table - Flaps 100%P-5
 Landing Distance Table - Flaps 50%P-6
 Landing Distance Table - Flaps 0%P-7
 Wind ComponentsP-8
 Weight and BalanceP-9
 Loading CalculationsP-9
 Loading DataP-10
 Moment LimitsP-10
 Temperature ConversionP-11

• Note •

Aircraft with optional Air Conditioning System: Brake Horsepower is reduced by approximately 6 BHP.

CIRRUS PILOT'S CHECKLIST

MODEL SR20

Takeoff Distance: 3150 LB

TAKEOFF 3150 LB

WEIGHT = 3150 LB Approx. Speed at Liftoff = 75 KIAS Speed over 50 Ft. Obstacle = 81 KIAS Flaps 50%; Full Throttle, Mixture Set; Dry, Level, Paved Runway		Headwind: Subtract 10% for each 12 knots headwind. Tailwind: Add 10% for each 2 knots tailwind up to 10 knots. Runway Slope: Refer to list of factors. Dry Grass: Add 15% of ground roll to distances. Air Conditioner: Add 100 feet to ground roll and 150 feet to distance over 50' obstacle if Air Conditioner is ON during takeoff.						
		TEMPERATURE ~ °C						
PRESS ALT FT	DISTANCE FT	0	10	20	30	40	50	ISA
SL	Grnd Roll	1503	1623	1748	1877	2011	2150	1685
	50 ft	2273	2443	2618	2799	2986	3179	2530
1000	Grnd Roll	1653	1784	1921	2063	2210	2363	1825
	50 ft	2491	2675	2867	3065	3270	3482	2732
2000	Grnd Roll	1818	1962	2113	2269	2431	2599	1978
	50 ft	2730	2932	3142	3359	3584	3817	2953
3000	Grnd Roll	2002	2161	2326	2498	2676	2862	2145
	50 ft	2995	3217	3447	3686	3932	4187	3195
4000	Grnd Roll	2206	2381	2563	2753	2950	3154	2329
	50 ft	3288	3532	3785	4048	4319	4599	3460
5000	Grnd Roll	2433	2626	2827	3037	3254	3479	2530
	50 ft	3614	3883	4161	4449	4747	5055	3749
6000	Grnd Roll	2687	2900	3122	3353	3592	3841	2752
	50 ft	3976	4272	4578	4895	5224	5563	4066
7000	Grnd Roll	2969	3205	3450	3705	3970	4245	2995
	50 ft	4379	4705	5042	5392	5754	6127	4414
8000	Grnd Roll	3322	3586	3861	4146	4442	4750	3300
	50 ft	4883	5246	5622	6013	6416	6833	4851
9000	Grnd Roll	3752	4050	4360	4682	5017	5364	3669
	50 ft	5495	5904	6328	6767	7221	7691	5380
10000	Grnd Roll	4240	4577	4927	5291	5670	6062	4082
	50 ft	6188	6649	7127	7621	8133	8663	5970

CIRRUS PILOT'S CHECKLIST MODEL SR20

Takeoff Distance: 2600 LB

<p>WEIGHT = 2600 LB Approx. Speed at Liftoff = 69 KIAS Speed over 50 Ft Obstacle = 75 KIAS Flaps 50%; Full Throttle, Mixture Set; Dry, Level, Paved Runway</p>	<p>Headwind: Subtract 10% for each 12 knots headwind. Tailwind: Add 10% for each 2 knots tailwind up to 10 knots. Runway Slope: Refer to list of factors. Dry Grass: Add 15% of ground roll to distances. Air Conditioner: Add 100 feet to ground roll and 150 feet to distance over 50' obstacle if Air Conditioner is ON during takeoff.</p>
--	---

PRESS ALT FT	DISTANCE FT	TEMPERATURE ~ °C						
		0	10	20	30	40	50	ISA
SL	Grnd Roll	913	986	1061	1140	1221	1305	1023
	50 ft	1408	1513	1621	1732	1848	1967	1566
1000	Grnd Roll	1004	1083	1166	1252	1342	1435	1108
	50 ft	1542	1656	1775	1897	2024	2154	1692
2000	Grnd Roll	1104	1192	1283	1378	1476	1578	1201
	50 ft	1690	1815	1945	2079	2218	2361	1828
3000	Grnd Roll	1215	1312	1412	1517	1625	1738	1303
	50 ft	1854	1991	2133	2281	2433	2590	1978
4000	Grnd Roll	1339	1446	1556	1671	1791	1915	1414
	50 ft	2036	2186	2342	2504	2672	2844	2141
5000	Grnd Roll	1477	1595	1717	1844	1975	2112	1536
	50 ft	2237	2403	2574	2752	2936	3126	2320
6000	Grnd Roll	1631	1761	1896	2036	2181	2332	1671
	50 ft	2461	2643	2832	3028	3230	3440	2516
7000	Grnd Roll	1803	1946	2095	2250	2411	2577	1818
	50 ft	2710	2911	3119	3335	3558	3788	2731
8000	Grnd Roll	2017	2178	2344	2518	2697	2884	2004
	50 ft	3021	3245	3477	3718	3967	4224	3001
9000	Grnd Roll	2278	2459	2647	2843	3046	3257	2228
	50 ft	3399	3651	3913	4184	4464	4754	3328
10000	Grnd Roll	2575	2779	2992	3213	3442	3681	2478
	50 ft	3827	4112	4406	4711	5027	5353	3693

TAKEOFF 2600 LB

Cruise Performance

Conditions:

- Mixture Target Fuel Flow*
- Weight 2600 LB
- Winds Zero
- Shaded Cells: Cruise Pwr above 85% not recommended.

*For power settings greater than 75% power, Best Power.

• Note •

Subtract 10 KTAS if nose wheel pant and fairing removed. Lower KTAS by 10% if nose and main wheel pants and fairings are removed.

Aircraft with optional Air Conditioning System: Cruise performance is reduced by 2 knots. For maximum performance, turn air conditioner off.

Aircraft with optional Enhanced Vision System: Cruise performance is reduced by up to 1 knot.

Press Alt			ISA - 30°C			ISA			ISA + 30°C		
	RPM	MAP	PWR	KTAS	GPH	PWR	KTAS	GPH	PWR	KTAS	GPH
2000	2700	27.1	94%	151	16.5	90%	156	15.8	85%	158	15.2
	2500	27.1	86%	148	14.9	82%	151	14.2	78%	153	13.7
	2500	26.0	81%	145	14.2	77%	148	13.6	73%	150	11.5
	2500	24.9	77%	142	13.5	73%	144	12.3	69%	146	10.9
	2500	23.8	72%	139	13.3	68%	140	11.6	65%	142	10.3
	2500	22.7	67%	135	12.5	64%	136	10.9	61%	138	9.7
	2500	21.6	62%	130	11.7	59%	132	10.3	56%	132	9.1
	2500	20.5	58%	126	11.0	55%	127	9.6	52%	127	8.5
	2500	19.4	53%	121	10.2	50%	121	9.0	48%	121	8.0
4000	2700	25.2	88%	152	15.6	84%	155	14.9	80%	157	14.4
	2500	25.2	80%	147	14.1	76%	150	13.4	73%	152	11.2
	2500	24.1	76%	144	13.4	72%	146	12.0	68%	148	10.6
	2500	23.0	71%	140	13.0	67%	142	11.3	64%	144	10.0
	2500	21.9	66%	136	12.2	63%	138	10.6	60%	139	9.4
	2500	20.8	61%	132	11.4	58%	133	9.9	55%	134	8.8
	2500	19.7	57%	127	10.6	54%	128	9.3	51%	128	8.2
	2500	18.6	52%	121	9.9	49%	122	8.6	47%	122	7.7
	2500	17.5	47%	115	9.1	45%	115	8.0	42%	115	7.1

CRUISE

CIRRUS PILOT'S CHECKLIST

MODEL SR20

Cruise Performance

Press Alt			ISA - 30°C			ISA			ISA + 30°C		
	RPM	MAP	PWR	KTAS	GPH	PWR	KTAS	GPH	PWR	KTAS	GPH
6000	2700	23.4	82%	151	14.7	78%	154	14.1	74%	156	11.4
	2500	23.4	75%	146	13.5	71%	148	11.7	68%	150	10.4
	2500	22.3	70%	142	12.7	66%	144	11.0	63%	145	9.7
	2500	21.2	65%	138	11.9	62%	140	10.3	59%	141	9.1
	2500	20.1	60%	133	11.1	57%	135	9.7	55%	136	8.6
	2500	19.0	56%	128	10.3	53%	129	9.0	50%	129	8.0
	2500	17.9	51%	123	9.6	48%	123	8.4	46%	123	7.4
	2500	16.8	46%	116	8.8	44%	116	7.7	42%	115	6.9
8000	2700	21.6	76%	150	13.9	72%	152	11.9	69%	154	10.5
	2500	21.6	70%	144	12.5	66%	146	10.8	63%	148	9.5
	2500	20.5	65%	140	11.6	61%	142	10.1	58%	143	8.9
	2500	19.4	60%	135	10.9	57%	137	9.4	54%	137	8.4
	2500	18.3	55%	130	10.1	52%	131	8.8	50%	131	7.8
	2500	17.2	50%	124	9.3	48%	124	8.1	45%	124	7.2
	2500	16.1	45%	117	8.6	43%	117	7.5	41%	116	6.7
	10000	2700	20.0	71%	148	12.7	67%	150	11.0	64%	151
2500		20.0	65%	142	11.5	61%	144	10.0	58%	145	8.8
2500		18.9	60%	138	10.7	56%	139	9.3	54%	139	8.2
2500		17.8	55%	132	9.9	52%	133	8.6	49%	133	7.6
2500		16.7	50%	126	9.1	47%	126	8.0	45%	126	7.1
2500		15.6	45%	119	8.4	43%	118	7.3	41%	117	6.5
12000	2700	18.5	66%	146	11.7	62%	147	10.1	59%	148	8.9
	2500	18.5	60%	140	10.6	57%	141	9.2	54%	142	8.1
	2500	17.4	55%	135	9.8	52%	135	8.5	49%	135	7.5
	2500	16.3	50%	128	9.0	47%	128	7.9	45%	128	6.9
	2500	15.2	45%	121	8.3	43%	120	7.2	40%	119	6.4
14000	2700	17.1	61%	143	10.8	57%	144	9.3	54%	145	8.2
	2500	17.1	55%	137	9.8	52%	138	8.5	50%	138	7.5
	2500	16.0	50%	131	9.0	48%	131	7.8	45%	130	6.9
	2500	14.9	45%	123	8.2	43%	123	7.1	41%	121	6.3

CRUISE

CIRRUS PILOT'S CHECKLIST MODEL SR20

Landing Distance Table - Flaps 100%

WEIGHT: 3150 LB Speed over 50 Ft Obstacle: 78 KIAS Flaps: 100% Power: Idle Runway: Dry, Level Paved Surface		Headwind: Subtract 10% per each 13 knots headwind. Tailwind: Add 10% for each 2 knots tailwind up to 10 knots. Runway Slope: Ref. Factors. Dry Grass: Add 20% to Ground Roll Wet Grass: Add 60% to Ground Roll						
PRESS ALT FT	DISTANCE FT	TEMPERATURE ~ °C						
		0	10	20	30	40	50	ISA
SL	Grnd Roll	809	838	868	897	927	957	853
	Total	2557	2609	2663	2717	2773	2829	2636
1000	Grnd Roll	838	869	900	931	961	992	878
	Total	2610	2665	2722	2779	2838	2898	2682
2000	Grnd Roll	870	901	933	965	997	1029	905
	Total	2666	2725	2785	2846	2907	2970	2731
3000	Grnd Roll	902	935	968	1001	1034	1067	932
	Total	2726	2788	2852	2916	2981	3048	2782
4000	Grnd Roll	936	971	1005	1039	1073	1108	960
	Total	2790	2856	2923	2991	3060	3130	2837
5000	Grnd Roll	972	1007	1043	1079	1114	1150	990
	Total	2858	2928	2999	3070	3143	3217	2894
6000	Grnd Roll	1009	1046	1083	1120	1157	1194	1021
	Total	2931	3004	3079	3155	3232	3310	2954
7000	Grnd Roll	1048	1086	1125	1163	1201	1240	1052
	Total	3008	3086	3165	3245	3326	3409	3017
8000	Grnd Roll	1089	1128	1168	1208	1248	1288	1085
	Total	3091	3173	3256	3341	3427	3513	3084
9000	Grnd Roll	1131	1173	1214	1255	1297	1338	1119
	Total	3179	3265	3353	3443	3533	3625	3154
10000	Grnd Roll	1176	1219	1262	1305	1348	1391	1155
	Total	3272	3364	3457	3551	3646	3743	3228

LANDING DISTANCE

CIRRUS PILOT'S CHECKLIST MODEL SR20

Landing Distance Table - Flaps 50%

WEIGHT: 3150 LB		Headwind: Subtract 10% per each 13 knots headwind.						
Speed over 50 Ft Obstacle: 82 KIAS		Tailwind: Add 10% for each 2 knots tailwind up to 10 knots.						
Flaps: 50%		Runway Slope: Ref. Factors.						
Power: Idle		Dry Grass: Add 20% to Ground Roll						
Runway: Dry, Level Paved Surface		Wet Grass: Add 60% to Ground Roll						
PRESS ALT FT	DISTANCE FT	TEMPERATURE ~ °C						
		0	10	20	30	40	50	ISA
SL	Grnd Roll	1029	1066	1104	1141	1179	1217	1085
	Total	2704	2768	2833	2899	2966	3033	2800
1000	Grnd Roll	1067	1106	1145	1184	1223	1262	1117
	Total	2768	2836	2904	2974	3044	3115	2856
2000	Grnd Roll	1106	1147	1187	1228	1268	1309	1151
	Total	2837	2908	2980	3053	3127	3202	2915
3000	Grnd Roll	1148	1190	1232	1274	1316	1358	1186
	Total	2909	2984	3060	3137	3216	3295	2977
4000	Grnd Roll	1191	1234	1278	1322	1365	1409	1222
	Total	2987	3066	3146	3227	3309	3392	3042
5000	Grnd Roll	1236	1281	1327	1372	1417	1462	1259
	Total	3069	3152	3236	3322	3408	3496	3111
6000	Grnd Roll	1283	1330	1377	1424	1471	1518	1298
	Total	3156	3243	3332	3422	3513	3605	3183
7000	Grnd Roll	1333	1382	1431	1479	1528	1577	1338
	Total	3248	3340	3434	3529	3624	3721	3258
8000	Grnd Roll	1385	1435	1486	1537	1587	1638	1380
	Total	3346	3443	3542	3642	3742	3844	3338
9000	Grnd Roll	1439	1492	1544	1597	1650	1702	1424
	Total	3450	3553	3656	3761	3867	3974	3421
10000	Grnd Roll	1496	1550	1605	1660	1715	1769	1469
	Total	3560	3668	3778	3888	4000	4112	3509

LANDING DISTANCE

CIRRUS PILOT'S CHECKLIST MODEL SR20

Landing Distance Table - Flaps 0%

WEIGHT: 3150 LB Speed over 50 Ft Obstacle: 87 KIAS Flaps: 0% Power: Idle Runway: Dry, Level Paved Surface		Headwind: Subtract 10% per each 13 knots headwind. Tailwind: Add 10% for each 2 knots tailwind up to 10 knots. Runway Slope: Ref. Factors. Dry Grass: Add 20% to Ground Roll Wet Grass: Add 60% to Ground Roll						
PRESS ALT FT	DISTANCE FT	TEMPERATURE ~ °C						
		0	10	20	30	40	50	ISA
SL	Grnd Roll	1185	1228	1272	1315	1358	1402	1250
	Total	2971	3037	3105	3174	3243	3314	3071
1000	Grnd Roll	1229	1274	1319	1364	1409	1454	1287
	Total	3038	3108	3179	3252	3325	3399	3130
2000	Grnd Roll	1274	1321	1368	1414	1461	1508	1326
	Total	3109	3183	3258	3335	3412	3490	3191
3000	Grnd Roll	1322	1371	1419	1467	1516	1564	1366
	Total	3185	3263	3342	3422	3504	3586	3256
4000	Grnd Roll	1372	1422	1472	1523	1573	1623	1408
	Total	3265	3348	3431	3515	3601	3688	3323
5000	Grnd Roll	1424	1476	1528	1581	1633	1685	1451
	Total	3351	3437	3525	3614	3704	3795	3395
6000	Grnd Roll	1479	1533	1587	1641	1695	1749	1495
	Total	3441	3533	3625	3719	3814	3910	3470
7000	Grnd Roll	1536	1592	1648	1704	1760	1817	1542
	Total	3537	3634	3731	3830	3930	4031	3548
8000	Grnd Roll	1595	1654	1712	1770	1829	1887	1590
	Total	3640	3741	3844	3948	4053	4159	3631
9000	Grnd Roll	1658	1718	1779	1840	1900	1961	1641
	Total	3748	3855	3963	4073	4183	4295	3718
10000	Grnd Roll	1723	1786	1849	1912	1975	2038	1693
	Total	3863	3976	4090	4205	4322	4439	3809

LANDING DISTANCE

Wind Components

Conditions:

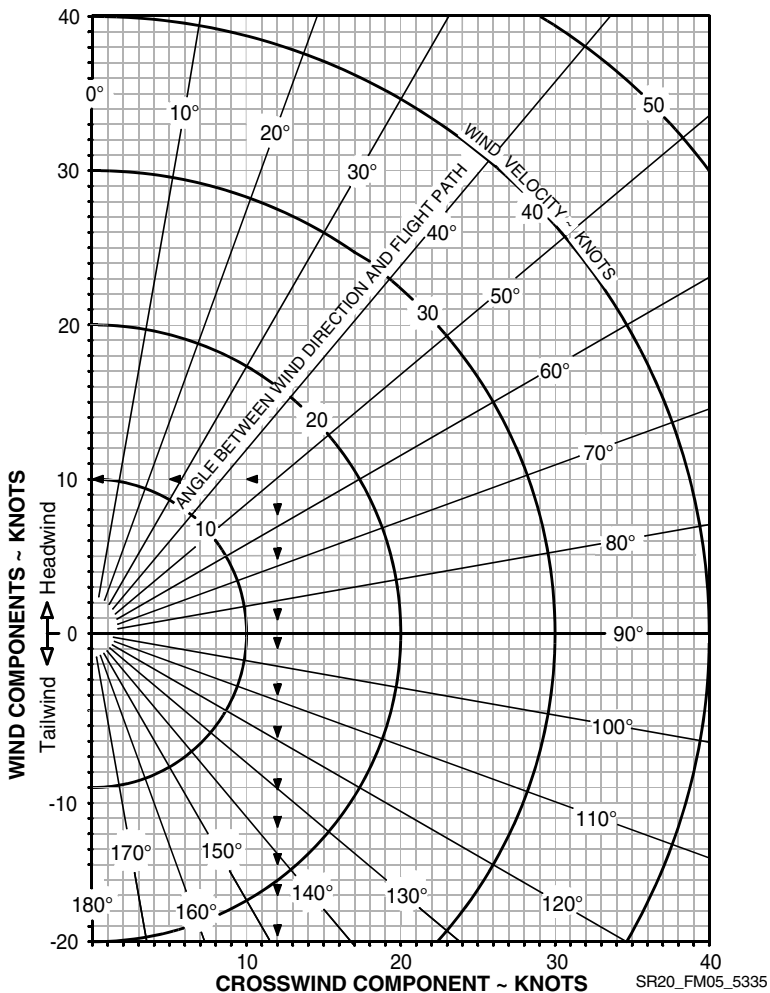
- Runway Heading 10°
- Wind Direction 60°
- Wind Velocity 15 Knots

Example: (See Chart ▶ ▶ ▶)

- Wind/Flight Path Angle 50°
- Crosswind Component..... 12 Knots
- Headwind Component 10 Knots

• Note •

The maximum demonstrated crosswind is 20 knots. Value not considered limiting.



Weight and Balance

Loading Calculations

For Moment/1000, refer to Loading Data table on following page.

Description	Weight	Moment/1000
1. Basic Empty Weight <i>Includes unusable fuel and full oil</i>		
2. Front Seats Occupants <i>Pilot and Passenger (total)</i>		
3. Rear Seats Occupants		
4. Baggage Area <i>130 lb maximum</i>		
5. Zero Fuel Condition Weight <i>Sub total items 1 thru 4</i>		
6. Fuel Loading <i>56 Gallon @6.0 lb/gal. maximum</i>		
7. Ramp Condition Weight <i>Sub total items 5 and 6</i>		
8. Fuel for start, taxi, and run-up <i>Normally 9 lb at average moment of 922.8</i>	-	-
9. Takeoff Condition Weight <i>Subtract Item 8 from item 7</i>		

Calculation Instructions

- Enter the current basic empty weight and moment from the aircraft's Weight and Balance Record.
- Enter the total weight and moment/1000 for the front seat occupants from the adjacent Loading Data Table.
- Enter the total weight and moment/1000 for the rear seat occupants from the adjacent Loading Data Table.
- Enter the total weight and moment/1000 for the baggage from the adjacent Loading Data Table.
- If desired, subtotal the weight and moment/1000 entries from steps 1 - 4.
- Enter the weight and moment/1000 of usable fuel loaded on the airplane.
- Subtotal the weight and moment/1000.
- Enter values for typical start, taxi, and run-up operations of 9 pounds at an average moment/1000 of 1.394.
- Subtract step 8 weight and moment/1000 from the Ramp Condition Weight to determine the Takeoff Condition Weight and moment/1000.
 - Verify Takeoff Weight does not exceed the 3150 pounds.
 - Verify Moment/1000 falls between the interpolated minimum and maximum values listed on the adjacent Moment Limits Table.

CIRRUS PILOT'S CHECKLIST MODEL SR20

Loading Data

Use this table to determine the Moment/1000.

Weight LB	Fwd Pass FS 143.5	Aft Pass FS 180.0	Baggage FS 208.0	Fuel FS 153.8	Weight LB	Fwd Pass FS 143.5	Aft Pass FS 180.0	Fuel FS 153.8
20	2.87	3.60	4.16	3.10	220	31.57	39.60	34.08
40	5.74	7.20	8.32	6.20	240	34.44	43.20	37.18
60	8.61	10.80	12.48	9.29	260	37.31	46.80	40.27
80	11.48	14.40	16.64	12.39	280	40.18	50.40	43.37
100	14.35	18.00	20.80	15.49	300	43.05	54.00	46.47
120	17.22	21.60	24.96	18.59	320	45.92	57.60	49.57
140	20.09	25.20	27.04*	21.69	336**	48.79	61.20	52.05
160	22.96	28.80		24.78	360	51.66	64.80	
180	25.83	32.40		27.88	380	54.53	68.40	
200	28.70	36.00		30.98	400	57.40	72.00	

* 130 lb Maximum

** 56 U.S Gallons Usable

Moment Limits

Use this table to determine if Loading Calculations are within limits.

Weight LB	Moment/1000		Weight LB	Moment/1000	
	Minimum	Maximum		Minimum	Maximum
2200	304	326	2700	375	398
2250	311	333	2750	383	406
2300	318	341	2800	390	414
2350	326	348	2850	398	421
2400	333	354	2900	406	429
2450	340	362	2950	414	437
2500	347	369	3000	421	444
2550	354	375	3050	429	452
2600	362	383	3100	438	459
2650	369	390	3150	445	467

Temperature Conversion

To convert from Celsius (°C) to Fahrenheit (°F), find in the shaded columns the number representing the temperature value (°C) to be converted. The equivalent Fahrenheit temperature is read to the right.

▶ EXAMPLE: 38°C = 100°F.

To convert from Fahrenheit (°F) to Celsius (°C), find in the shaded columns the number representing the temperature value (°F) to be converted. The equivalent Celsius temperature is read to the left.

▶ EXAMPLE: 38°F = 3°C.

Temp to Convert °C or °F			Temp to Convert °C or °F			Temp to Convert °C or °F		
°C	◀ ▶	°F	°C	◀ ▶	°F	°C	◀ ▶	°F
-50	-58	-72	-17	2	36	17	62	144
-49	-56	-69	-16	4	39	18	64	147
-48	-54	-65	-14	6	43	19	66	151
-47	-52	-62	-13	8	46	20	68	154
-46	-50	-58	-12	10	50	21	70	158
-44	-48	-54	-11	12	54	22	72	162
-43	-46	-51	-10	14	57	23	74	165
-42	-44	-47	-9	16	61	24	76	169
-41	-42	-44	-8	18	64	26	78	172
-40	-40	-40	-7	20	68	27	80	176
-39	-38	-36	-6	22	72	28	82	180
-38	-36	-33	-4	24	75	29	84	183
-37	-34	-29	-3	26	79	30	86	187
-36	-32	-26	-2	28	82	31	88	190
-34	-30	-22	-1	30	86	32	90	194
-33	-28	-18	0	32	90	33	92	198
-32	-26	-15	1	34	93	34	94	201
-31	-24	-11	2	36	97	36	96	205
-30	-22	-8	3	38	100	37	98	208
-29	-20	-4	4	40	104	38	100	212
-28	-18	0	6	42	108	39	102	216
-27	-16	3	7	44	111	40	104	219
-26	-14	7	8	46	115	41	106	223
-24	-12	10	9	48	118	42	108	226
-23	-10	14	10	50	122	43	110	230
-22	-8	18	11	52	126	44	112	234
-21	-6	21	12	54	129	46	114	237
-20	-4	25	13	56	133	47	116	241
-19	-2	28	14	58	136	48	118	244
-18	0	32	16	60	140	49	120	248

CIRRUS PILOT'S CHECKLIST MODEL SR20

Abnormal Procedures

Table of Contents

Perspective+ Crew Alerting System (CAS) Index

CAS Message	Page	CAS Message	Page
OIL PRESS	A-3	ALT 2	A-6
START ENGAGE	A-3	AVIONICS OFF	A-7
FUEL QTY	A-4	PFD 1 FAN FAIL	A-7
L FUEL QTY	A-4	MFD FAN FAIL	A-7
R FUEL QTY	A-4	PITOT HEAT FAIL	A-8
FUEL IMBALANCE	A-5	PITOT HEAT REQD	A-8
M BUS 1	A-5	FLAPS	A-9
M BUS 2	A-5	BRAKE TEMP	A-10
BATT 1	A-5	PARK BRAKE	A-10
ALT 1	A-6		

Flight Environment A-1

- Inadvertent Icing Encounter..... A-1
- Inadvertent IMC Encounter..... A-1
- Door Open In Flight A-1

Abnormal Landings A-2

- Landing With Failed Brakes..... A-2
- Landing With Flat Tire A-2

Engine System A-3

- Low Idle Oil Pressure A-3
- Starter Engaged Annunciation..... A-3

Fuel System A-4

- Low Fuel Quantity..... A-4
- Left OR Right Fuel Tank Quantity A-4
- Fuel Imbalance A-5

Electrical System A-5

- Low Voltage on Main Bus 1 A-5
- Low Voltage on Main Bus 2..... A-5
- Battery 1 Current Sensor..... A-5
- Low Alternator 1 Output..... A-6
- Low Alternator 2 Output..... A-6

Integrated Avionics System A-7

- Avionics Switch Off..... A-7
- AVIONICS OFF Caution..... A-7
- PFD Cooling Fan Failure A-7

CIRRUS PILOT'S CHECKLIST MODEL SR20

Abnormal Procedures

Table of Contents

PFD FAN FAIL Advisory	A-7
MFD Cooling Fan Failure	A-7
MFD FAN FAIL Advisory	A-7
Flight Displays Too Dim.....	A-7
Pitot Static System	A-8
Pitot Static Malfunction	A-8
Pitot Heat Current Sensor Annunciation.....	A-8
PITOT HEAT FAIL Caution	A-8
Pitot Heat Required Annunciation	A-8
PITOT HEAT REQD Caution	A-8
Flight Control System.....	A-9
Electric Trim/Autopilot Failure.....	A-9
Flap System Exceedance	A-9
FLAPS Caution	A-9
Landing Gear System	A-10
Brake Failure During Taxi.....	A-10
Left/Right Brake Over-Temperature	A-10
BRAKE TEMP Caution	A-10
Other Conditions	A-10
Aborted Takeoff	A-10
Parking Brake Engaged Annunciation.....	A-10
PARK BRAKE Caution	A-10
Communications Failure.....	A-10

CIRRUS PILOT'S CHECKLIST MODEL SR20

Flight Environment

Inadvertent Icing Encounter

- 1. Pitot Heat..... ON
- 2. Exit icing conditions. Turn back or change altitude.
- 3. Cabin Heat..... MAXIMUM
- 4. Windshield Defrost FULL OPEN
- 5. Alternate Induction Air ON

Inadvertent IMC Encounter

- 1. Airplane Control..... ESTABLISH STRAIGHT AND LEVEL FLIGHT
- 2. Autopilot..... ENGAGE TO HOLD HEADING AND ALTITUDE
- 3. Heading RESET TO INITIATE 180° TURN

Door Open In Flight

- 1. Airplane Control..... MAINTAIN

IN FLIGHT

Abnormal Landings

Landing With Failed Brakes

One brake inoperative

1. Land on the side of runway corresponding to the inoperative brake.
2. Maintain directional control using rudder and working brake.

Both brakes inoperative

1. Divert to the longest, widest runway with the most direct headwind.
2. Land on downwind side of the runway.
3. Use the rudder for obstacle avoidance.
4. Perform *Emergency Engine Shutdown on Ground Checklist*.

Landing With Flat Tire

Main Gear

1. Land on the side of the runway corresponding to the good tire.
2. Maintain directional control with the brakes and rudder.
3. Do not taxi. Stop the airplane and perform a normal *Engine Shutdown*.

Nose Gear

1. Land in the center of the runway.
2. Hold the nosewheel off the ground as long as possible.
3. Do not taxi. Stop the airplane and perform a normal *Engine Shutdown*.

Engine System

Low Idle Oil Pressure

OIL PRESS Caution

OIL PRESS

1. If In-Flight.....LAND AS SOON AS PRACTICABLE

Starter Engaged Annunciation

START ENGAGE Caution

START ENGAGE

On-Ground

1. Ignition Switch DISENGAGE PRIOR TO 10 SECONDS
2. Wait 30 seconds before next start attempt.
If starter does not disengage (relay or solenoid failure):
3. BAT 1 Switch OFF
4. Engine SHUTDOWN
5. STARTER Circuit breaker PULL

In-Flight

1. Ignition SwitchENSURE NOT STUCK IN START
2. STARTER Circuit breaker PULL
3. Flight.....CONTINUE
Engine start will not be available at destination.

ENGINE

Fuel System

Low Fuel Quantity

FUEL QTY Caution

FUEL QTY

1. Fuel Quantity Gages.....CHECK
If left & right fuel quantities indicate less than or equal to 8 gallons per side:
 - a. Land as soon as practicable.
If left & right fuel quantities indicate more than 8 gallons per side:
 - a. FlightCONTINUE, MONITOR

Left OR Right Fuel Tank Quantity

Conduct the following procedure if either of the annunciations listed below are displayed on the MFD.

L FUEL QTY or R FUEL QTY Advisory

L FUEL QTY	R FUEL QTY
-------------------	-------------------

1. Indicated (L or R) Fuel Quantity Gage.....CHECK
If fuel quantity indicates less than or equal to 8 gallons:
 - a. If On-Ground REFUEL PRIOR TO FLIGHT
 - b. If In-FlightCONTINUE, MONITOR*If fuel quantity indicates more than 8 gallons:*
 - a. If On-Ground CORRECT PRIOR TO FLIGHT
 - b. If In-FlightCONTINUE, MONITOR

FUEL

CIRRUS PILOT'S CHECKLIST MODEL SR20

Fuel Imbalance

FUEL IMBALANCE Caution

FUEL IMBALANCE

1. Fuel Quantity Gages.....CHECK
2. Fuel PumpON
If Fuel Pump is already ON for vapor suppression, pump should be left in this position for tank switch.
3. Fuel Selector SELECT FULLEST TANK
4. Fuel PumpAS REQUIRED
After switching tanks, message will remain until sensed imbalance is less than 7.5 gallons.

Electrical System

Low Voltage on Main Bus 1

M BUS 1 Caution

M BUS 1

1. Perform *Alt 1 Caution (Failure)* Checklist.

Low Voltage on Main Bus 2

M BUS 2 Caution

M BUS 2

1. Perform *Alt 1 Caution (Failure)* and *Alt 2 Caution (Failure)* Checklists.

Battery 1 Current Sensor

BATT 1 Caution

BATT 1

1. Main Bus 1, 2 and Non-Essential Bus Loads REDUCE
2. Main Bus 1, 2 and Essential Bus VoltagesMONITOR
3. Land as soon as practicable.

FUEL / ELECTRICAL

Low Alternator 1 Output

ALT 1 Caution (Failure)

ALT 1

1. ALT 1 Circuit Breaker..... CHECK AND SET
2. ALT 1 Master Switch..... CYCLE
If alternator does not reset (low A1 Current and M1 voltage):
3. ALT 1 Master Switch..... OFF
4. Non-Essential Bus Loads REDUCE
 - a. If flight conditions permit, consider shedding the following to preserve Battery 1:
 - (1) Air Conditioning,
 - (2) Landing Light,
 - (3) Convenience Power (aux items plugged into armrest jack)
5. Continue Flight, avoiding IMC or night flight as able (reduced power redundancy).

Low Alternator 2 Output

ALT 2 Caution (Failure)

ALT 2

1. ALT 2 Circuit Breaker..... CHECK AND SET
2. ALT 2 Master Switch..... CYCLE
If alternator does not reset (low A2 Current and M2 voltage less than M1 voltage):
3. ALT 2 Master Switch..... OFF
4. Continue Flight, avoiding IMC or night flight as able (reduced power redundancy).

ELECTRICAL

Integrated Avionics System

Avionics Switch Off

AVIONICS OFF Caution

AVIONICS OFF

1. AVIONICS Switch ON, AS REQUIRED

PFD Cooling Fan Failure

PFD FAN FAIL Advisory

PFD 1 FAN FAIL

1. AVIONICS FAN 2 Circuit Breaker CYCLE
If annunciation does not extinguish:
 - a. Hot cabin temps LAND AS SOON AS PRACTICABLE
 - b. Cool cabin temperatures CONTINUE, MONITOR

MFD Cooling Fan Failure

MFD FAN FAIL Advisory

MFD FAN FAIL

1. AVIONICS FAN 1 Circuit Breaker CYCLE
If annunciation does not extinguish:
 - a. High cabin temps LAND AS SOON AS PRACTICABLE
 - b. Low cabin temperatures CONTINUE, MONITOR

Flight Displays Too Dim

1. INSTRUMENT dimmer knob OFF (FULL COUNTER-CLOCKWISE)
If flight displays do not provide sufficient brightness:
2. Revert to standby instruments.

Pitot Static System

Pitot Static Malfunction

Static Source Blocked

- 1. Pitot Heat.....ON
- 2. Alternate Static Source..... OPEN

Pitot Tube Blocked

- 1. Pitot Heat.....ON

Pitot Heat Current Sensor Annunciation

PITOT HEAT FAIL Caution

PITOT HEAT FAIL

- 1. Pitot Heat Circuit Breaker CYCLE
- 2. Pitot Heat..... CYCLE OFF, ON

If inadvertent icing encountered, perform Inadvertent Icing Encounter Checklist and:

- a. Airspeed..... EXPECT NO RELIABLE INDICATION
- b. Exit icing conditions using attitude, altitude, and power instruments.

Pitot Heat Required Annunciation

PITOT HEAT REQD Caution

PITOT HEAT REQD

- 1. Pitot Heat.....ON

PITOT STATIC

CIRRUS PILOT'S CHECKLIST MODEL SR20

Flight Control System

Electric Trim/Autopilot Failure

1. Airplane Control..... MAINTAIN MANUALLY
2. Autopilot (if engaged)..... DISENGAGE
If Problem Is Not Corrected:
3. Circuit Breakers PULL AS REQUIRED
 - PITCH TRIM
 - ROLL TRIM
 - AP SERVOS
4. Power Lever AS REQUIRED
5. Control Yoke MANUALLY HOLD PRESSURE
6. Land as soon as practicable.

Flap System Exceedance

FLAPS Caution

FLAPS

1. Airspeed REDUCE
or
1. Flaps RETRACT

CIRRUS PILOT'S CHECKLIST MODEL SR20

Landing Gear System

Brake Failure During Taxi

1. Engine Power.....AS REQUIRED
 - To stop airplane - REDUCE
 - If necessary for steering - INCREASE
2. Directional Control MAINTAIN WITH RUDDER
3. Brake Pedal(s) PUMP
If directional control can not be maintained:
4. Ignition Switch OFF

Left/Right Brake Over-Temperature

BRAKE TEMP Caution



1. Stop aircraft and allow the brakes to cool.

Other Conditions

Aborted Takeoff

1. Power Lever..... IDLE
2. Brakes.....AS REQUIRED

Parking Brake Engaged Annunciation

PARK BRAKE Caution



1. Parking BrakeRELEASE
2. Monitor CAS for BRAKE TEMP Caution. Stop aircraft and allow the brakes to cool if necessary.

Communications Failure

1. Switches, Controls.....CHECK
2. Frequency CHANGE
3. Circuit Breakers SET
4. Headset CHANGE
5. Handheld MicrophoneCONNECT

CIRRUS PILOT'S CHECKLIST MODEL SR20

EMERGENCY

**Emergency Procedures
Table of Contents**

Perspective+ Crew Alerting System (CAS) Index

CAS Message	Page	CAS Message	Page
OIL PRESS	E-7	FUEL IMBALANCE	E-9
OIL TEMP	E-7	M BUS 1	E-10
RPM	E-7	M BUS 2	E-10
CHT	E-8	ESS BUS	E-11
FUEL QTY	E-9	CO LVL HIGH	E-12

- Airspeeds For Emergency Operations E-1
 - Maximum Glide..... E-1
 - Memory Items..... E-1
- Engine Failures E-2
 - Engine Failure On Takeoff (Low Altitude)..... E-2
 - Engine Failure In Flight..... E-2
- Airstart..... E-3
 - Engine Airstart..... E-3
- Smoke and Fire..... E-4
 - Engine Fire In Flight E-4
 - Cabin Fire In Flight E-4
 - Wing Fire In Flight E-5
 - Engine Fire During Start..... E-5
 - Smoke and Fume Elimination..... E-5
- Forced Landings E-6
 - Emergency Landing Without Engine Power E-6
 - Emergency Descent E-6
 - Ditching..... E-6
 - Landing Without Elevator Control..... E-6
- Engine System E-7
 - Oil Pressure Out of Range E-7
 - OIL PRESS Warning E-7
 - Oil Temperature High E-7
 - OIL TEMP Warning E-7
 - Engine Speed High..... E-7
 - RPM Warning: Engine Speed High E-7
 - High Cylinder Head Temperature..... E-8
 - CHT Caution and Warning E-8
 - Engine Partial Power Loss E-8
- Fuel System E-9
 - Low Fuel Quantity..... E-9

CIRRUS PILOT'S CHECKLIST MODEL SR20

Table of Contents

Emergency Procedures

FUEL QTY Warning	E-9
Fuel Imbalance	E-9
Electrical System.....	E-10
High Voltage on Main Bus 1	E-10
M BUS 1 Warning	E-10
High Voltage on Main Bus 2	E-10
M BUS 2 Warning	E-10
High or Low Voltage on Essential Bus	E-11
ESS BUS Warning	E-11
Integrated Avionics System.....	E-11
Attitude & Heading Reference System (AHRS) Failure.....	E-11
Air Data Computer (ADC) Failure.....	E-11
PFD Display Failure.....	E-11
Unusual Attitude.....	E-12
Inadvertent Spin Entry	E-12
Inadvertent Spiral Dive During IMC Flight	E-12
Environmental System Emergencies	E-12
Carbon Monoxide Level High	E-12
CO LVL HIGH Warning	E-12
CAPS Deployment	E-13
Other Emergencies	E-13
Power Lever Linkage Failure.....	E-13
Emergency Engine Shutdown On Ground	E-13
Circuit Breaker Panel	E-14

CIRRUS PILOT'S CHECKLIST MODEL SR20

Airspeeds For Emergency Operations

Maneuvering Speed:

- 3150 lb..... 133 KIAS
- 2700 lb..... 123 KIAS
- 2300 lb..... 114 KIAS

Best Glide:

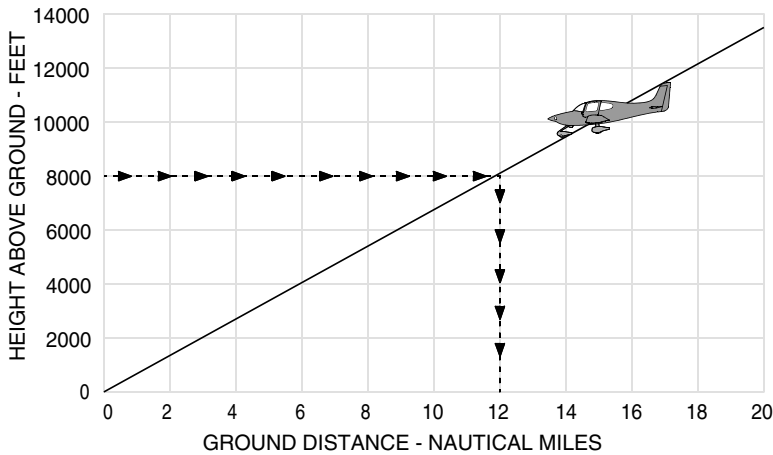
- 3150 lb..... 100 KIAS
- 2600 lb..... 92 KIAS

Emergency Landing (Engine-Out):

- Flaps Up 89 KIAS
- Flaps 50% 83 KIAS
- Flaps 100% 78 KIAS

Maximum Glide

Glide Ratio ~ 9 : 1



SR20_FM09_2765

Memory Items

Checklist steps emphasized by underlining such as the example below, should be memorized for accomplishment without reference to the procedure.

1. Best Glide Speed..... ESTABLISH

CIRRUS PILOT'S CHECKLIST MODEL SR20

Engine Failures

Engine Failure On Takeoff (Low Altitude)

1. Best Glide or Landing Speed (as appropriate) ESTABLISH
2. Mixture CUTOFF
3. Fuel Selector OFF
4. Ignition Switch OFF
5. Flaps AS REQUIRED

If time permits:

6. Power Lever IDLE
7. Fuel Pump OFF
8. Bat-Alt Master Switches OFF
9. Seat Belts ENSURE SECURED

Engine Failure In Flight

1. Best Glide Speed ESTABLISH
2. Mixture AS REQUIRED
3. Fuel Selector SWITCH TANKS
4. Fuel Pump ON
5. Alternate Induction Air ON
6. Air Conditioner (if installed) OFF
7. Ignition Switch CHECK, BOTH

If engine does not start:

8. Perform Engine Airstart or Emergency Landing Without Engine Power checklist, as required.

CIRRUS PILOT'S CHECKLIST MODEL SR20

Airstart

Engine Airstart

1. Bat Master Switches..... ON
2. Power Lever..... ½" OPEN
3. Mixture..... RICH, AS REQ'D
4. Fuel Selector SWITCH TANKS
5. Ignition Switch BOTH
6. Fuel Pump ON
7. Alternate Induction Air ON
8. Alt Master Switches OFF
9. Starter (Propeller not Windmilling) ENGAGE
10. Power Lever SLOWLY INCREASE
11. Alt Master Switches ON
12. If engine will not start, perform *Forced Landings* checklist.

AIRSTART

CIRRUS PILOT'S CHECKLIST MODEL SR20

Smoke and Fire

Engine Fire In Flight

1. Mixture CUTOFF
2. Fuel Pump OFF
3. Fuel Selector OFF
4. Airflow Selector OFF
5. Power Lever IDLE
6. Ignition Switch OFF
7. Cabin Doors PARTIALLY OPEN
8. Land as soon as possible.

Cabin Fire In Flight

1. Bat-Alt Master Switches OFF, AS REQ'D
2. Fire Extinguisher ACTIVATE
If airflow is not sufficient to clear smoke or fumes from cabin:
3. Cabin Doors PARTIALLY OPEN
4. Avionics Power Switch OFF
5. All other switches OFF
6. Land as soon as possible.
If setting master switches off eliminated source of fire or fumes and airplane is in night, weather, or IFR conditions:
7. Airflow Selector OFF
8. Bat-Alt Master Switches ON
9. Avionics Power Switch ON
10. Required Systems ACTIVATE ONE AT A TIME
11. Temperature Selector COLD
12. Vent Selector FEET/PANEL/DEFROST POSITION
13. Airflow Selector SET AIRFLOW TO MAXIMUM
14. Panel Eyeball Outlets OPEN
15. Land as soon as possible.

CIRRUS PILOT'S CHECKLIST MODEL SR20**Wing Fire In Flight**

1. Pitot Heat Switch OFF
2. Navigation Light Switch OFF
3. Landing Light OFF
4. Strobe Light Switch OFF
5. If possible, side slip to keep flames away from fuel tank and cabin.
6. Land as soon as possible.

Engine Fire During Start

1. Mixture CUTOFF
2. Fuel Pump OFF
3. Fuel Selector OFF
4. Power Lever FORWARD
5. Starter CRANK
6. If flames persist, perform *Emergency Engine Shutdown on Ground* and *Emergency Ground Egress* checklists.

Smoke and Fume Elimination

1. Air Conditioner (if installed) OFF
2. Temperature Selector COLD
3. Vent Selector FEET/PANEL/DEFROST POSITION
4. Airflow Selector SET AIRFLOW TO MAXIMUM
If source of smoke and fume is firewall forward:
 - a. Airflow Selector OFF
5. Panel Eyeball Outlets OPEN
6. Prepare to land as soon as possible.

SMOKE AND FIRE

CIRRUS PILOT'S CHECKLIST MODEL SR20

Forced Landings

Emergency Landing Without Engine Power

1. Best Glide Speed..... ESTABLISH
2. Radio TRANSMIT (121.5 MHZ) MAYDAY
GIVING LOCATION AND INTENTIONS
3. Transponder.....SQUAWK 7700
4. If off airport, ELTACTIVATE
5. Power Lever IDLE
6. Mixture CUTOFF
7. Fuel Selector OFF
8. Ignition Switch OFF
9. Fuel Pump OFF
10. Flaps (when landing is assured) 100%
11. Master Switches OFF
12. Seat Belt(s)..... SECURED

Emergency Descent

1. Power Lever IDLE
2. MixtureAS REQUIRED
3. Airspeed V_{NE} (201 KIAS)

Ditching

1. Radio TRANSMIT (121.5 MHZ) MAYDAY
GIVING LOCATION AND INTENTIONS
2. Transponder.....SQUAWK 7700
3. CAPS.....ACTIVATE
4. Airplane EVACUATE
5. Flotation Devices INFLATE WHEN CLEAR OF AIRPLANE

Landing Without Elevator Control

1. Flaps..... SET 50%
2. Trim..... SET 80 KIAS
3. Power..... AS REQUIRED FOR GLIDE ANGLE

CIRRUS PILOT'S CHECKLIST MODEL SR20

Engine System

Oil Pressure Out of Range

OIL PRESS Warning

OIL PRESS

1. Oil Pressure GageCHECK
If pressure low/high:
 - a. PowerREDUCE TO MINIMUM FOR SUSTAINED FLIGHT
 - b. Land as soon as possible.
 - (1) Prepare for potential engine failure.

Oil Temperature High

OIL TEMP Warning

OIL TEMP

1. Power..... REDUCE
2. Airspeed INCREASE
3. Mixture.....FULL RICH
4. Oil Temperature GageMONITOR
If temperature remains high:
5. Land as soon as possible.

Engine Speed High

RPM Warning: Engine Speed High

RPM

1. TachometerCHECK
If engine speed normal:
 - a. If On-GroundCORRECT PRIOR TO FLIGHT
 - b. If In-FlightCONTINUE, MONITOR*If engine speed high:*
 - a. Perform *Propeller Governor Failure* checklist.
2. Oil Pressure GageCHECK

High Cylinder Head Temperature**CHT Caution and Warning**

CHT

On-Ground

1. Power Lever REDUCE
2. Annunciators and Engine Temperatures MONITOR
If Caution or Warning annunciation is still illuminated:
3. Power Lever MINIMUM REQUIRED
4. Flight PROHIBITED

In-Flight

1. Power Lever REDUCE
2. Airspeed INCREASE
3. Mixture FULL RICH
4. Annunciators and Engine Temperatures MONITOR
If Caution or Warning annunciation is still illuminated:
5. Power Lever MINIMUM REQUIRED
6. Engine Instruments MONITOR
If Caution annunciation only remains illuminated:
 - a. Land as soon as practicable.*If Warning annunciation remains illuminated:*
 - a. Land as soon as possible.

Engine Partial Power Loss

1. Air Conditioner (if installed) OFF
2. Fuel Pump ON
3. Fuel Selector SWITCH TANKS
4. Mixture CHECK APPROPRIATE FOR FLIGHT CONDITIONS
5. Power Lever SWEEP
6. Alternate Induction Air ON
7. Ignition Switch BOTH, L, THEN R
8. Land as soon as practicable.

CIRRUS PILOT'S CHECKLIST MODEL SR20

Fuel System

Low Fuel Quantity

FUEL QTY Warning

FUEL QTY

1. Fuel Quantity Gages.....CHECK
If fuel quantity indicates less than or equal to 7 gallons:
 - a. If On-Ground REFUEL PRIOR TO FLIGHT
 - b. If In-FlightLAND AS SOON AS PRACTICABLE*If fuel quantity indicates more than 7 gallons:*
 - a. If On-GroundCORRECT PRIOR TO FLIGHT
 - b. If In-FlightCONTINUE, MONITOR

Fuel Imbalance

FUEL IMBALANCE Warning

FUEL IMBALANCE

1. Fuel Quantity Gages.....CHECK
2. Fuel Pump ON
If the Boost Pump is already in use for vapor suppression, pump should be left in this position for tank switch.
3. Fuel Selector SELECT FULLEST TANK
4. Fuel PumpAS REQUIRED
After switching tanks, message will remain until sensed imbalance is less than 9.5 gallons.

Electrical System**High Voltage on Main Bus 1*****M BUS 1 Warning*****M BUS 1**

1. ALT 1 Master Switch CYCLE
2. M Bus 1 Voltage (M1) CHECK
If M Bus 1 Voltage is greater than 32 Volts:
3. ALT 1 Master Switch OFF
4. Perform *Alt 1 Caution (Failure)* checklist (do not reset alternator).

High Voltage on Main Bus 2***M BUS 2 Warning*****M BUS 2**

1. Main Bus 1 Voltage (M1) CHECK
If M Bus 1 Voltage is greater than 32 Volts:
2. Perform *M Bus 1 Warning* Checklist.
3. Main Bus 2 Voltage (M2) CHECK
If M Bus 2 Voltage is greater than 32 Volts:
4. ALT 2 Master Switch CYCLE
5. Main Bus 2 Voltage (M2) CHECK
If M Bus 2 Voltage remains greater than 32 Volts:
6. ALT 2 Master Switch OFF
7. Perform *Alt 2 Caution (Failure)* checklist (do not reset alternator).

CIRRUS PILOT'S CHECKLIST MODEL SR20

High or Low Voltage on Essential Bus

ESS BUS Warning

ESS BUS

1. Essential Bus Voltage (ESS)CHECK
If Essential Bus Voltage is greater than 32 volts:
2. Main Bus 1 and Main Bus 2 Voltages (M1 and M2).....CHECK
3. Perform appropriate *M Bus 1* or *M Bus 2* Warning checklists.
If Essential Bus Voltage is less than 24.5 volts:
4. Perform *Alt 1 Caution (Failure)* and *Alt 2 Caution (Failure)* checklists.
If unable to restore at least one alternator:
5. Non-Essential Loads REDUCE
 - a. If flight conditions permit, consider shedding:
Air Conditioning, Landing Light, Pitot Heat, Cabin Fan, Nav Lights, Strobe Lights, Audio Panel, COM 2
6. Land as soon as practicable (Battery reserve only).

Integrated Avionics System

Attitude & Heading Reference System (AHRS) Failure

1. Verify Avionics System has switched to functioning AHRS
If not, manually switch to functioning AHRS:
2. Failed ADAHRS Circuit Breaker SET
If open, reset breaker. If circuit breaker opens again, do not reset.
3. Be prepared to revert to Standby Instruments (Altitude, Heading)

Air Data Computer (ADC) Failure

1. Failed ADAHRS Circuit Breaker SET
If open, reset (close) circuit breaker. If circuit breaker opens again, do not reset.
2. Revert to Standby Instruments (Altitude, Airspeed).
3. Land as soon as practicable.

PFD Display Failure

1. Display BackupACTIVATE
2. Land as soon as practicable.

CIRRUS PILOT'S CHECKLIST MODEL SR20**Unusual Attitude****Inadvertent Spin Entry**

1. CAPS.....ACTIVATE

Inadvertent Spiral Dive During IMC Flight

1. Power Lever..... IDLE
2. Stop the spiral dive by using coordinated aileron and rudder control while referring to the attitude indicator and turn coordinator to level the wings.
3. Cautiously apply elevator back pressure to bring airplane to level flight attitude.
4. Trim for level flight.
5. Set power as required.
6. Use autopilot if functional otherwise keep hands off control yoke, use rudder to hold constant heading.
7. Exit IMC conditions as soon as possible.

Environmental System Emergencies**Carbon Monoxide Level High****CO LVL HIGH Warning**

CO LVL HIGH

1. Air Conditioner (if installed)NOT IN RECIRC MODE
2. Temperature Selector COLD
3. Vent Selector FEET/PANEL/DEFROST POSITION
4. Airflow Selector.....SET AIRFLOW TO MAXIMUM
5. Panel Eyeball Outlets OPEN
If CO LVL HIGH does not extinguish:
6. Supplemental Oxygen (if available)
 - a. Oxygen Masks or Cannulas DON
 - b. Oxygen System..... ON
 - c. Oxygen Flow Rate..... MAXIMUM
7. Land as soon as possible.

CIRRUS PILOT'S CHECKLIST MODEL SR20**CAPS Deployment****• WARNING •**

The maximum demonstrated deployment speed is 133 KIAS.

1. Activation Handle Cover REMOVE
2. Activation Handle (Both Hands) PULL STRAIGHT DOWN

After deployment, as time permits:

3. Mixture CUTOFF
4. Fuel Selector OFF
5. Fuel Pump OFF
6. Bat-Alt Master Switches OFF

Turn the Bat-Alt Master Switches off after completing any necessary radio communications.

7. Ignition Switch OFF
8. ELT ON
9. Seat Belts and Harnesses TIGHTEN
10. Loose Items SECURE
11. Assume emergency landing body position.
12. After the airplane comes to a complete stop, evacuate quickly and move upwind.

Other Emergencies**Power Lever Linkage Failure**

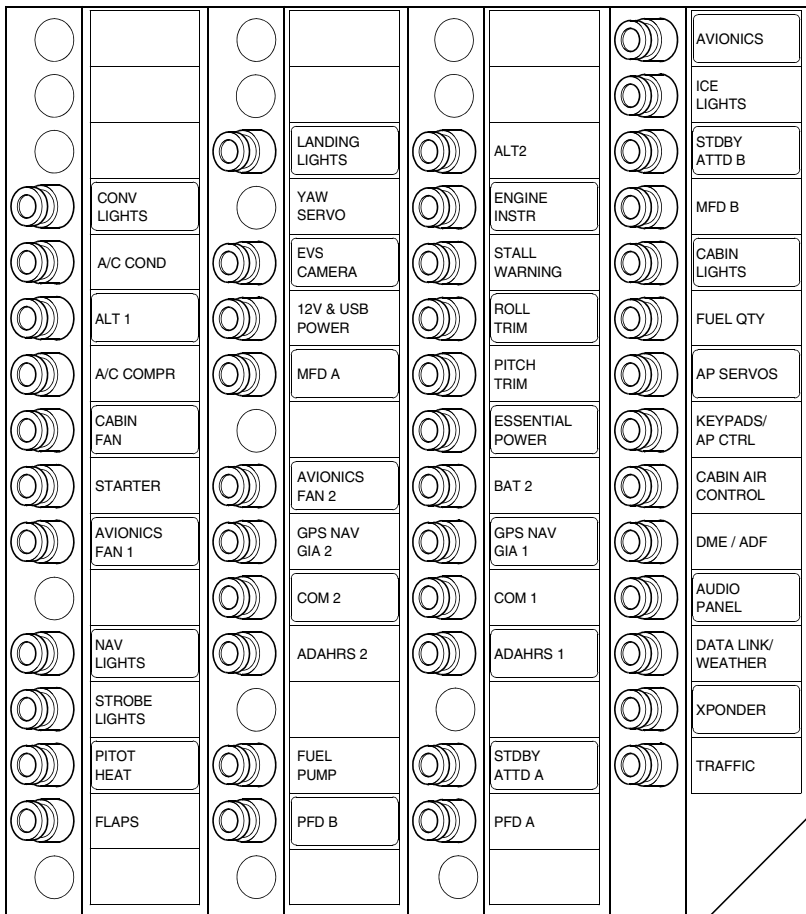
1. Power Lever Movement VERIFY
2. Power SET IF ABLE
3. Flaps SET IF NEEDED
4. Mixture AS REQUIRED (FULL RICH TO CUT-OFF)
5. Land as soon as possible.

Emergency Engine Shutdown On Ground

1. Power Lever IDLE
2. Fuel Pump (if used) OFF
3. Mixture CUTOFF
4. Fuel Selector OFF
5. Ignition Switch OFF
6. Bat-Alt Master Switches OFF

Circuit Breaker Panel

CRCT BREAKER PANEL



SR20_FM07_5370